



ELECTROFUSION ELBOW PE100, SDR11

45° 63mm Inner Diameter

EF 45° ELBOW PE100, SDR11 63mm Inner Diameter. For water, mining and irrigation applications. All fittings are manufactured in virgin PE100 white polyethylene. EF fittings enable utilities, designers and contractors to create fully welding pipe networks.

The production quality, reliability and flexibility of EF fittings provides the certainty and peace of mind needed for the PE pipe jointing.

Product Description:

EF 45° ELBOW PE100, SDR11 63mm for water, mining and irrigation applications. Water PN16. Temperature range on EF fittings: -10°C/+40°C

Design standards:

※The Jiu Feng Supplier co., have over 40 inland and international product approvals as well as ISO9001 quality management system approvals. GB/T13663.3-2018

※JIUFENG branded electrofusion fittings are 3rd party certified against the products standards listed.



JIUFENG BRAND

Features:

- ※JIUFENG branded.
- ※PE 100 raw best quality choice.
- ※Water PN16 (Depending on PE pipe welded and any local pipeline pressure regulations).
- ※Full production tracking records and random inspection records.
- ※CNC wiring copper line, ODM special work blade for inner tube. The wear resistance is increased and the wiring layer is optimized, so as to improve the efficiency of the hot-melt process of fitting.
- ※For saddle's LATHE machine processing bending parts design, retaining the wall thickness of the original part, thereby increasing the support force.
- ※All EF fittings are individually numbered and the barcodes and QR code full individual fitting traceability right back to all raw materials and critical components.
- ※Manual welding parameters printed into the body of the fitting.
- ※After authorization, OEM is accepted.

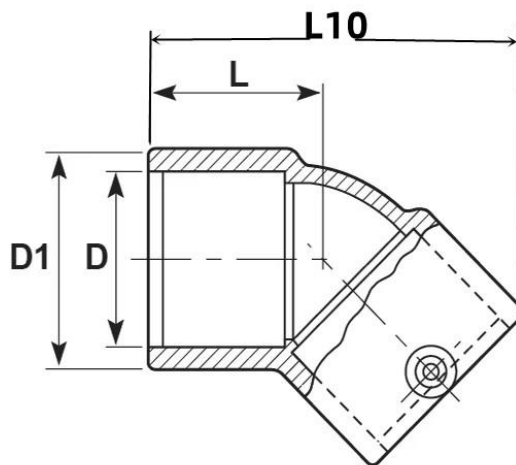
Operations Accessories:

- ※Electrofusion Control box, Pipe cutters, Pipe scrapers, Pipe alignment and Rounding clamps, Generators, Marker pen.



Attention:

- ✘ Work plan for laying pipes and welding joints site shall be designed in advance.
- ✘ Outdoor welding is prohibited in rainy days.
- ✘ Before welding, need the injection Roughness & Clean & Remark.
- ✘ After 24hours welding, need pressure testing, and pipeline air discharging.



Reference No. and dimensions(mm):

Ref. No.	Fitting size	L10	L	D	D1	SDR	Fusion time	Cooling time	Weight Unit/kg
L45-63	63	158	64	64	78	11	39.5v/80s	10min	0.250

Comments:

Check that both pipes and fitting to be joined are compatible, only compatible materials should be joined together. Check PN and SDR rating marked on fitting and compare with that of the pipe. If in doubt, seek advice from our manufacturer, Correct installation procedures should be followed.